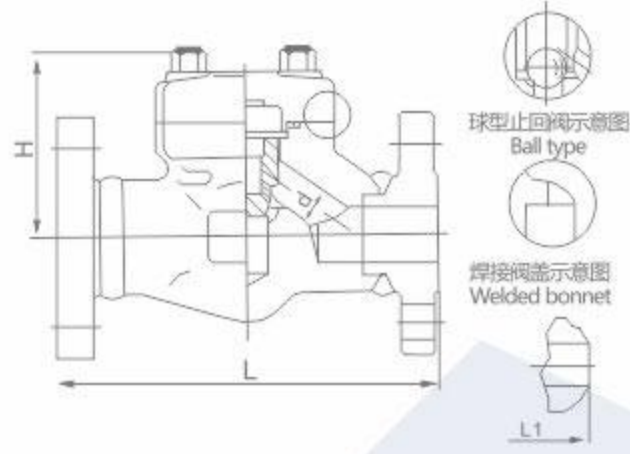


法兰与对焊止回阀
Flange and butt weld check valve

锻钢阀系列
FORGED STEEL VALVE SERIES



CL150-300-600

规格(NPS) Specification		R.P	1/4	3/8	1/2	3/4	1	1 1/4	1 1/2	2
结构长度(mm) Face to face	CL150	L(RF)	-	-	108	118	127	140	165	203
	CL300	L1(BW)	-	-	153	178	203	216	229	267
	CL600		-	-	165	191	216	229	241	292
中心高度(开) (mm)Height	CL150	H	-	-	77	81	93	95	103	118
	CL300/CL600		-	-	61	78	84	101	120	133
流道孔径(mm)Flow port dimension		d	-	-	10	13	17.5	23	30	35
重量(Kg) Weight	CL150	RF	-	-	3.6	4.6	8.5	9.2	12.5	14.8
		BW	-	-	3.0	3.6	7.6	8.5	11.3	13.6
	CL300	RF	-	-	3.7	4.8	8.8	9.6	13.7	17.8
		BW	-	-	3.2	4.3	8.0	8.6	12.7	16.2
	CL600	RF	-	-	4.0	5.8	9.5	10.4	15.6	24.5
		BW	-	-	3.4	5.1	8.8	9.2	14.8	22.5

螺栓阀盖, 缩径, 末端连接为法兰或对焊, 设计按 BS5352
Bolted bonnet reducing port, Flange-welded or but-welded ends; design to BS5352

CL150-300-600

规格(NPS) Specification		R.P	1/4	3/8	1/2	3/4	1	1 1/4	1 1/2	2
结构长度(mm) Face to face	CL150	L(RF)	-	-	108	118	127	140	165	203
	CL300	L1(BW)	-	-	153	178	203	216	229	267
	CL600		-	-	165	191	216	229	241	292
中心高度(开) (mm)Height	CL150	H	-	-	77	81	93	95	103	118
	CL300/CL600		-	-	61	78	84	101	120	133
流道孔径(mm)Flow port dimension		d	-	-	10.5	13.5	18	24	29	36.5
重量(Kg) Weight	CL150	RF	-	-	3.6	4.6	8.5	9.2	12.5	14.8
		BW	-	-	3.0	3.6	7.6	8.5	11.3	13.6
	CL300	RF	-	-	3.7	4.8	8.8	9.6	13.7	17.8
		BW	-	-	3.2	4.3	8.0	8.6	12.7	16.2
	CL600	RF	-	-	4.0	5.8	9.5	10.4	15.6	24.5
		BW	-	-	3.4	5.1	8.8	9.2	14.8	22.5

螺栓阀盖, 缩径, 末端连接为法兰或对焊, 设计按 BS5352
Bolted bonnet reducing port, Flange-welded or but-welded ends; design to BS5352

CL150-300-600

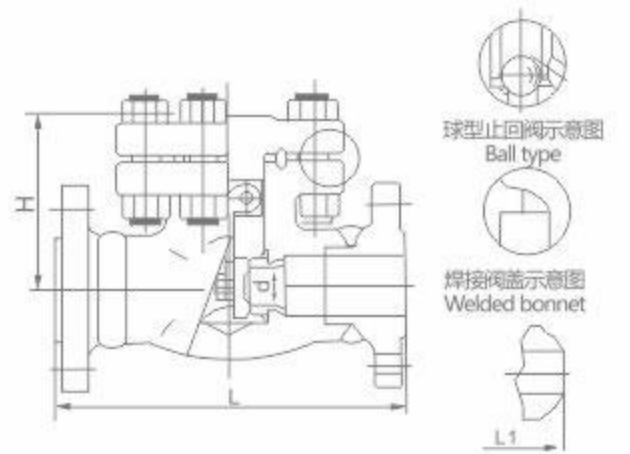
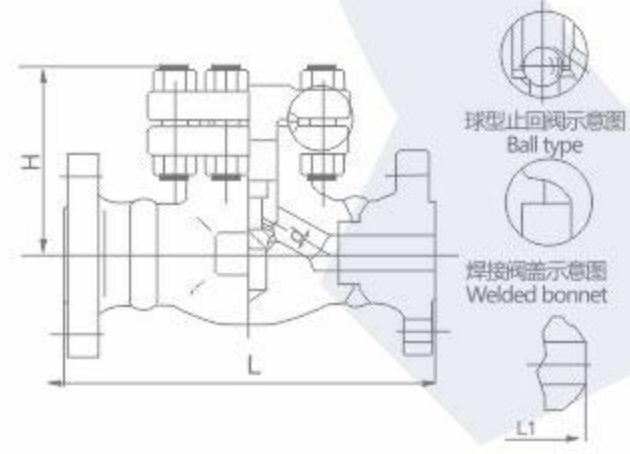
规格(NPS) Specification		R.P	1/4	3/8	1/2	3/4	1	1 1/4	1 1/2	2
结构长度(mm) Face to face	CL150	L(RF)	-	-	108	118	127	140	165	203
	CL300	L1(BW)	-	-	153	178	203	216	229	267
	CL600		-	-	165	191	216	229	241	292
中心高度(开) (mm)Height	CL150	H	-	-	77	81	93	95	103	118
	CL300/CL600		-	-	61	78	84	101	120	133
流道孔径(mm)Flow port dimension		d	-	-	10	13	17.5	23	30	35
重量(Kg) Weight	CL150	RF	-	-	3.2	3.5	4.6	5.2	7.0	16
		BW	-	-	2.8	3.0	4.0	4.6	6.3	15
	CL300	RF	-	-	4.6	6.1	9.1	12	16	21
		BW	-	-	4.1	5.7	8.4	11.2	14.5	19.5
	CL600	RF	-	-	4.8	6.3	9.3	13	16.5	22
		BW	-	-	4.4	5.9	8.7	12.1	15.8	20.8

螺栓阀盖, 缩径, 末端连接为法兰或对焊, 设计按 BS5352
Bolted bonnet reducing port, Flange-welded or but-welded ends; design to BS5352

CL150-300-600

规格(NPS) Specification		R.P	1/4	3/8	1/2	3/4	1	1 1/4	1 1/2	2
结构长度(mm) Face to face	CL150	L(RF)	-	-	108	118	127	140	165	203
	CL300	L1(BW)	-	-	153	178	203	216	229	267
	CL600		-	-	165	191	216	229	241	292
中心高度(开) (mm)Height	CL150	H	-	-	77	81	93	95	103	118
	CL300/CL600		-	-	61	78	84	101	120	133
流道孔径(mm)Flow port dimension		d	-	-	10.5	13.5	18	24	29	36.5
重量(Kg) Weight	CL150	RF	-	-	3.6	4.6	8.5	9.2	12.5	14.8
		BW	-	-	3.0	3.6	7.6	8.5	11.3	13.6
	CL300	RF	-	-	3.7	4.8	8.8	9.6	13.7	17.8
		BW	-	-	3.2	4.3	8.0	8.6	12.7	16.2
	CL600	RF	-	-	4.0	5.8	9.5	10.4	15.6	24.5
		BW	-	-	3.4	5.1	8.8	9.2	14.8	22.5

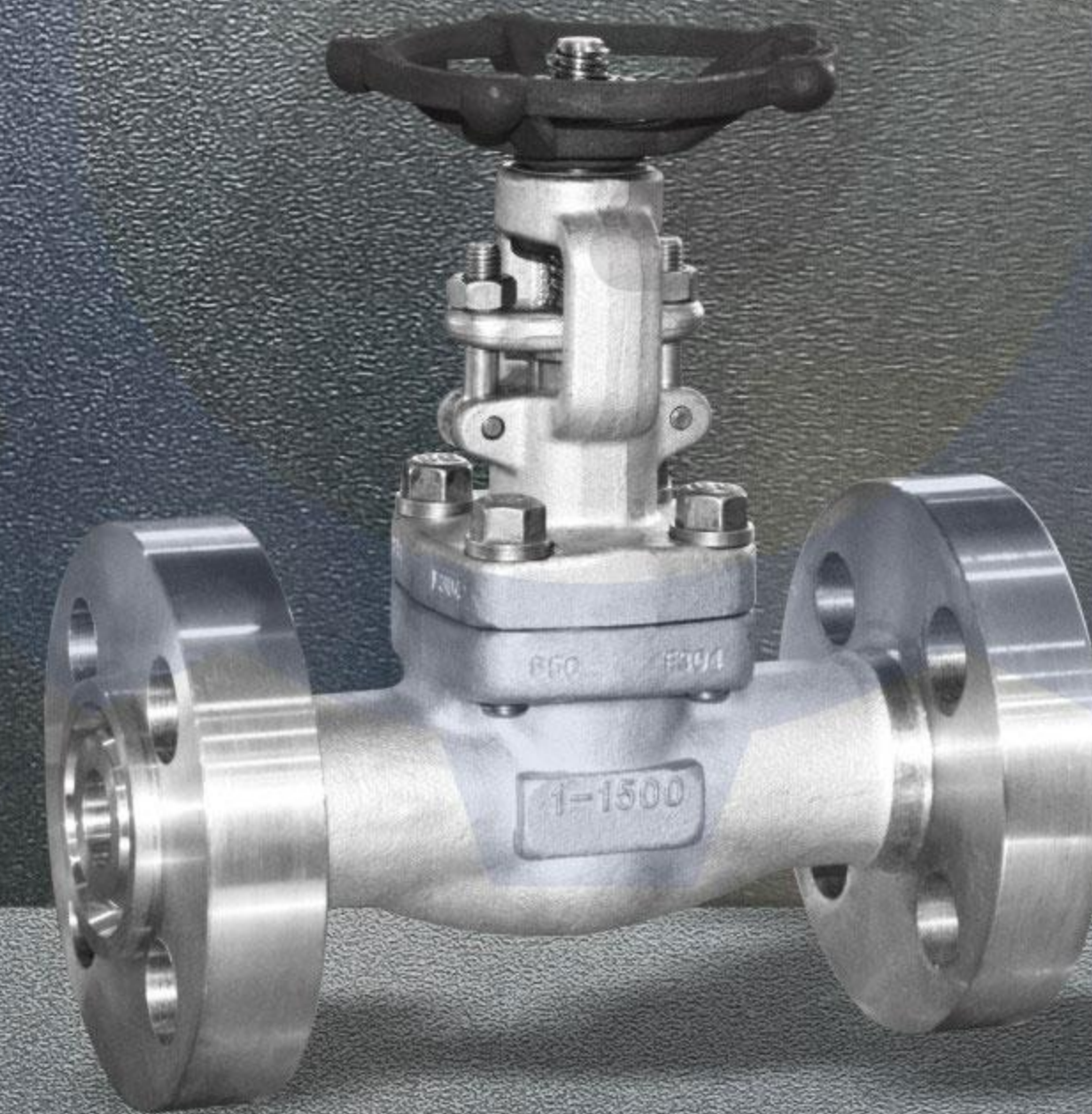
螺栓阀盖, 缩径, 末端连接为法兰或对焊, 设计按 BS5352
Bolted bonnet reducing port, Flange-welded or but-welded ends; design to BS5352



06

锻钢阀系列
Forged steel valve series

www.cnjnv.com
JIANENG VALVE JNFM

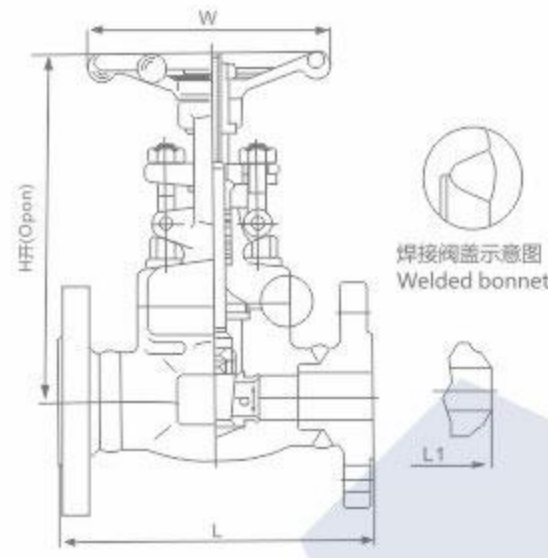


锻钢法兰闸阀
Forged steel flange gate valve

内螺纹与承插焊截止阀
Female thread and socket weld globe valve

锻钢系列
FORGED STEEL VALVE SERIES

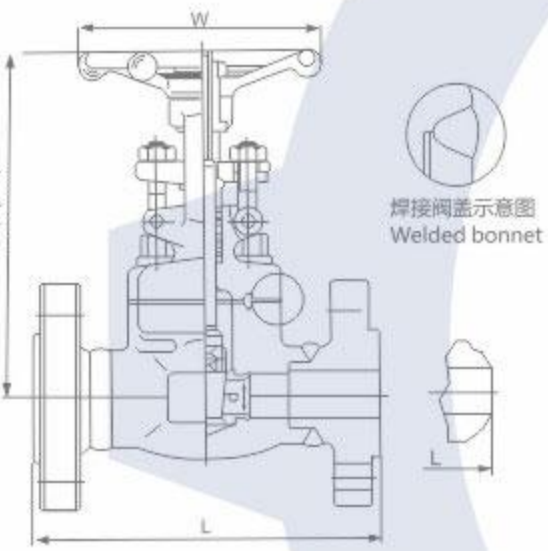
锻钢系列
FORGED STEEL VALVE SERIES



CL150-300-600

规格(NPS) Specification		1/4	3/8	1/2	3/4	1	1 1/4	1 1/2	2	2 1/2	
结构长度(mm) Face to face	CL150	-	-	108	117	127	140	165	178	190	
	CL300	-	-	140	152	165	178	190	216	241	
	CL600	-	-	165	190	216	229	241	292	330	
手轮直径(mm) Handwheel diameter	W	-	-	100	100	125	160	160	180	200	
中心高度(开)(mm) Height	CL150/CL300	-	-	176	184	217	226	250	290	357	
	CL600	-	-	161	163	196	226	250	290	357	
流道孔径(mm) Flow port dimension	d	-	-	10	13.5	18	24	29	36.5	45	
重量(Kg) Weight	CL150	RF	-	-	3.4	3.98	6.12	7.2	10.4	15.5	24.5
		BW	-	-	2.8	3.3	5.4	6.5	8.2	12.5	20
	CL300	RF	-	-	3.77	4.89	7.23	9.6	12.64	18	26.2
		BW	-	-	3.5	4.4	6.8	8.1	9.2	15.4	22
	CL600	RF	-	-	4.2	5.8	8.8	12.1	15.6	19.5	32
		BW	-	-	4.5	5.1	8.2	10.5	12.4	20.1	28

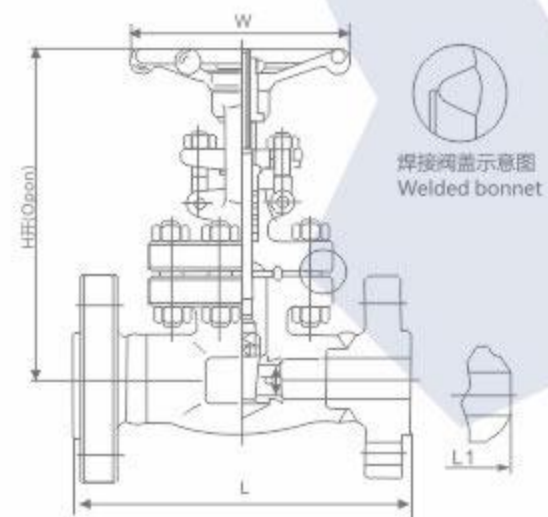
螺栓连接阀盖, 缩径和全径, 明杆支架 (OS&Y), 末端连接为法兰或对焊连接, 设计按API 602;BS5352
Bolted bonnet, full port reducing port outside screw and yoke(OS&Y)
Flange-welded or but-welded ends; design to API602;BS5352



CL900-CL1500

规格(NPS) Specification		F. P	1/4	3/8	1/2	3/4	1	1 1/4	1 1/2	2
结构长度(mm) Face to face	L(RF)L1(BW)	-	-	216	229	254	279	305	368	
	L(RTJ)	-	-	216	229	254	279	305	371	
手轮直径(mm) Handwheel diameter	W	-	-	125	125	160	180	200	220	
中心高度(开)(mm) Height	H	-	-	191	192	219	257	296	316	
流道孔径(mm) Flow port dimension	d	-	-	13.5	18	24	29	36.5	45	
重量(Kg) Weight		-	-	7.2	11.5	15.6	16.2	22.6	28.2	

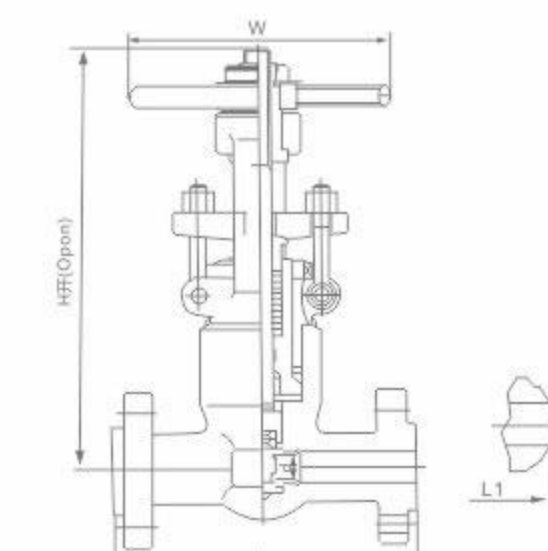
螺栓连接阀盖, 缩径和全径, 明杆支架 (OS&Y), 末端连接为法兰或对焊连接, 设计按API 602;BS5352
Bolted bonnet, full port reducing port outside screw and yoke(OS&Y)
Flange-welded or but-welded ends; design to API602;BS5352



CL2500

规格(NPS) Specification		F. P	1/4	3/8	1/2	3/4	1	1 1/4	1 1/2	2
结构长度(mm) Face to face	L(RF)L1(BW)	-	-	264	273	305	-	384	451	
	L(RTJ)	-	-	264	273	308	-	387	454	
手轮直径(mm) Handwheel diameter	W	-	-	125	160	160	-	200	240	
中心高度(开)(mm) Height	H	-	-	207	240	258	-	355	370	
流道孔径(mm) Flow port dimension	d	-	-	13.5	13.5	19	-	20	36.5	
重量(Kg) Weight		-	-	19.5	21.5	42	-	65	95	

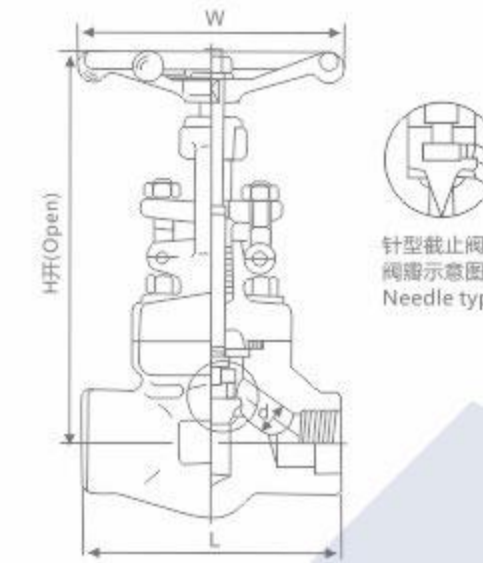
螺栓连接阀盖, 缩径和全径, 明杆支架 (OS&Y), 末端连接为法兰或对焊连接, 设计按API 602;BS5352
Bolted bonnet, full port reducing port outside screw and yoke(OS&Y)
Flange-welded or but-welded ends; design to API602;BS5352



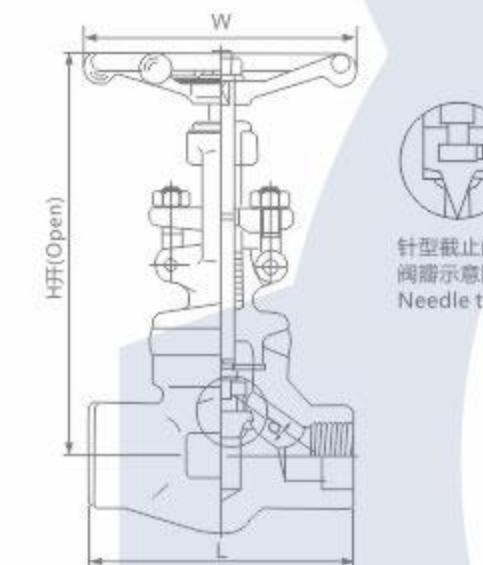
CL2500

规格(NPS) Specification		F. P	1/4	3/8	1/2	3/4	1	1 1/4	1 1/2	2
结构长度(mm) Face to face	L(RF)L1(BW)	-	-	264	273	308	-	384	451	
	L(RTJ)	-	-	264	273	308	-	387	454	
手轮直径(mm) Handwheel diameter	W	-	-	200	200	200	-	280	300	
中心高度(开)(mm) Height	H	-	-	325	325	327	-	478	540	
流道孔径(mm) Flow port dimension	d	-	-	13.5	13.5	19	-	30	36.5	
重量(Kg) Weight		-	-	14.6	16.8	17.6	-	25	31.9	

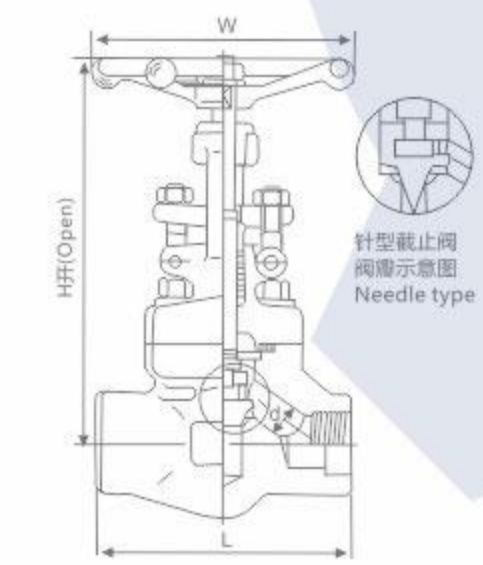
螺栓连接阀盖, 缩径和全径, 明杆支架 (OS&Y), 末端连接为法兰或对焊连接, 设计按API 602;BS5352
Bolted bonnet, full port reducing port outside screw and yoke(OS&Y)
Flange-welded or but-welded ends; design to API602;BS5352



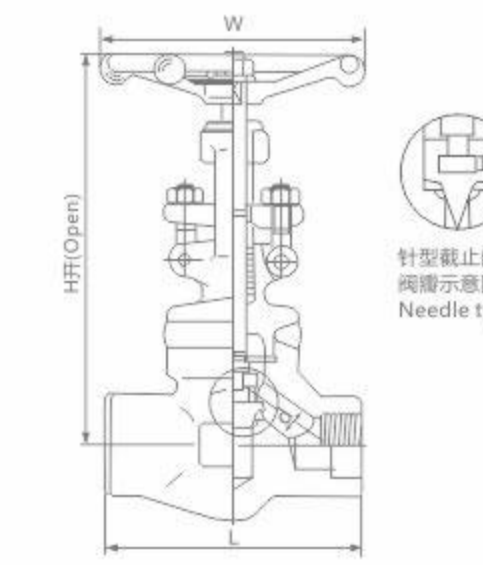
针型截止阀
Needle type



针型截止阀
Needle type



针型截止阀
Needle type



针型截止阀
Needle type

CL800

规格(NPS) Specification	R. P	1/2	3/4	1	1 1/4	1 1/2	2	2 1/2	3	
	F. P	1/4	3/8	1/2	3/4	1	1 1/4	1 1/2	2	
结构长度(mm) Face to face	L	79	79	92	111	120	152	172	200	-
手轮直径(mm) Handwheel diameter	W	100	100	100	125	160	160	180	200	-
中心高度(开)(mm) Height	H	164	164	164	203	224	260	300	355	-
流道孔径(mm) Flow port dimension	d	7	9	13	17.5	23	30	35	46	-
重量(Kg) Weight		1.9	2.28	2.37	4.3	5.75	7.8	12.5	17.5	-

螺栓连接阀盖, 缩径和全径, 明杆支架 (OS&Y), 末端连接可按螺纹或承插焊, 设计按BS5352
Bolted bonnet, full port reducing port outside screw and yoke(OS&Y)
Threaded, butt-welded or socket welded ends; design to BS5352

CL800

规格(NPS) Specification	R. P	1/2	3/4	1	1 1/4	1 1/2	2	2 1/2	3	
	F. P	1/4	3/8	1/2	3/4	1	1 1/4	1 1/2	2	
结构长度(mm) Face to face	L	79	79	92	111	120	152	172	200	-
手轮直径(mm) Handwheel diameter	W	100	100	100	125	160	160	180	200	-
中心高度(开)(mm) Height	H	164	164	164	203	224	260	300	355	-
流道孔径(mm) Flow port dimension	d	7	9	13	17.5	23	30	35	46	-
重量(Kg) Weight		1.7	1.7	1.9	3.3	5.2	6.8	10.6	13.8	-

螺栓连接阀盖, 缩径和全径, 明杆支架 (OS&Y), 末端连接可按螺纹或承插焊, 设计按BS5352
Bolted bonnet, full port reducing port outside screw and yoke(OS&Y)
Threaded, butt-welded or socket welded ends; design to BS5352

CL900-CL1500

规格(NPS) Specification	R. P	1/2	3/4	1	1 1/4	1 1/2	2	2 1/2	3	
	F. P	1/4	3/8	1/2	3/4	1	1 1/4	1 1/2	2	
结构长度(mm) Face to face	L	92	111	111	120	152	172	200	220	
手轮直径(mm) Handwheel diameter	W	100	125	125	160	160	180	200	240	
中心高度(开)(mm) Height	H	171	207	207	240	258	330	355	370	
流道孔径(mm) Flow port dimension	d	7	12	15	20	28	32	40	45	
重量(Kg) Weight		2.3	3.6	3.7	6.8	7.6	11.6	15	21.9	

螺栓连接阀盖, 缩径和全径, 明杆支架 (OS&Y), 末端连接可按螺纹或承插焊, 设计按BS5352
Bolted bonnet, full port reducing port outside screw and yoke(OS&Y)
Threaded, butt-welded or socket welded ends; design to BS5352

CL900-CL1500

规格(NPS) Specification	R. P	1/2	3/4	1	1 1/4	1 1/2	2	2 1/2	3	
	F. P	1/4	3/8	1/2	3/4	1	1 1/4	1 1/2	2	
结构长度(mm) Face to face	L	92	111	111	120	152	172	200	220	
手轮直径(mm) Handwheel diameter	W	100	125	125	160	160	180	200	240	
中心高度(开)(mm) Height	H	171	207	207	240	258	330	355	370	
流道孔径(mm) Flow port dimension	d		12	15	20	28	32	40	45	
重量(Kg) Weight		2.2	3.3	3.4	5.6	6.0	10.3	14.2	18.0	

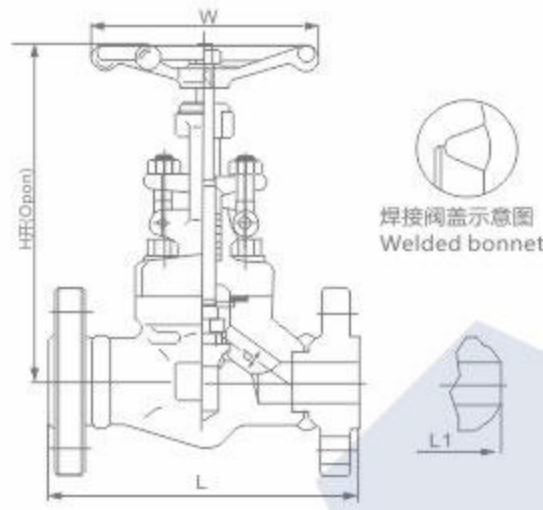
螺栓连接阀盖, 缩径和全径, 明杆支架 (OS&Y), 末端连接可按螺纹或承插焊, 设计按BS5352
Bolted bonnet, full port reducing port outside screw and yoke(OS&Y)
Threaded, butt-welded or socket welded ends; design to BS5352

法兰与对焊截止阀 Flange and butt weld globe valve

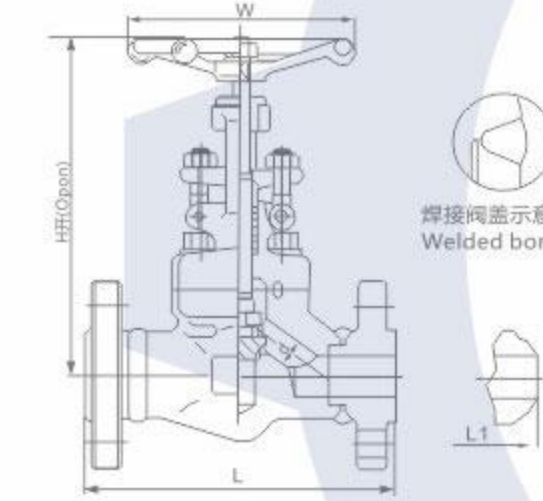
内螺纹与承插焊止回阀 Internal thread and socket weld check valve

锻造系列
FORGED STEEL VALVE SERIES

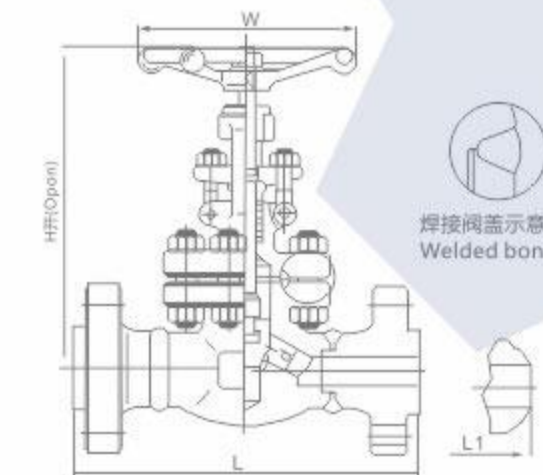
锻造系列
FORGED STEEL VALVE SERIES



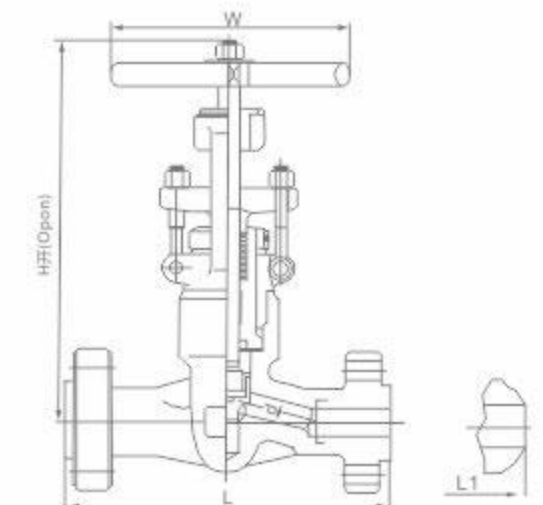
焊接阀盖示意图
Welded bonnet



焊接阀盖示意图
Welded bonnet



焊接阀盖示意图
Welded bonnet



焊接阀盖示意图
Welded bonnet

CL150-300-600

规格(NPS) Specification			1/4	3/8	1/2	3/4	1	1 1/4	1 1/2	2
结构长度(mm) Face to face	CL150	L(RF)	-	-	108	117	127	140	165	203
	CL300	L1(BW)	-	-	152	178	203	216	229	267
	CL600		-	-	165	190	216	229	241	292
手轮直径(mm) Handwheel diameter	W		-	-	100	100	125	160	160	180
中心高度(开) (mm)Height	CL150/CL300	H	-	-	180	184	217	224	260	300
	CL600		-	-	164	164	203	224	260	300
流道孔径(mm) Flow port dimension	d		-	-	9	13	17.5	23	30	35
重量(Kg) Weight	CL150	RF	-	-	3.45	4.0	6.19	9.6	10.5	17
		BW	-	-	2.3	3.6	7.8	8.2	12.0	15.0
	CL300	RF	-	-	3.8	5.1	7.2	12	13.5	19.7
		BW	-	-	2.8	4.0	8.5	9.2	12.6	16.8
	CL600	RF	-	-	5.6	7.8	12.5	17	23.5	38.8
		BW	-	-	3.4	4.7	9.2	10.5	13.3	18.9

注：如需法兰和阀体一体式锻造的请与TIANBANG销售人员联系。
Flange integrity Forged Steel Valve Enquiry Please Contact Sales Department.
螺栓连接阀盖，全径，明杆支架 (OS&Y)，末端连接为焊接法兰或对焊连接，设计按 BS5352
Welded bonnet, full port outside screw and yoke(OS&Y), Flange-welded or but-welded ends; design to BS5352

CL900-CL1500

规格(NPS) Specification		F.P	1/4	3/8	1/2	3/4	1	1 1/4	1 1/2	2
结构长度(mm) Face to face	L(RF)L1(BW)		-	-	216	229	254	279	305	368
	L(RTJ)		-	-	216	229	254	279	305	371
手轮直径(mm) Handwheel diameter	W		-	-	125	125	160	160	180	200
中心高度(开)(mm) Height	H		-	-	207	207	230	160	300	355
流道孔径(mm) Flow port dimension	d		-	-	12	15	20	28	32	40
重量(Kg) Weight			-	-	11	13.2	17.4	19	24.5	31

注：如需法兰和阀体一体式锻造的请与TIANBANG销售人员联系。
Flange integrity Forged Steel Valve Enquiry Please Contact Sales Department.
螺栓连接阀盖，全径，明杆支架 (OS&Y)，末端连接为焊接法兰或对焊连接，设计按 BS5352
Welded bonnet, full port outside screw and yoke(OS&Y), Flange-welded or but-welded ends; design to BS5352

CL2500

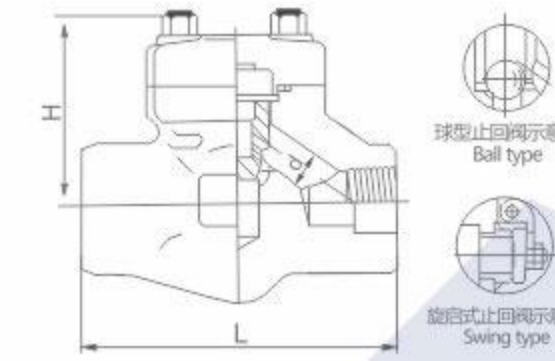
规格(NPS) Specification		F.P	1/4	3/8	1/2	3/4	1	1 1/4	1 1/2	2
结构长度(mm) Face to face	L(RF)L1(BW)		-	-	264	273	308	-	384	451
	L(RTJ)		-	-	264	273	308	-	387	454
手轮直径(mm) Handwheel diameter	W		-	-	125	160	200	-	250	240
中心高度(开)(mm) Height	H		-	-	207	240	258	-	355	300
流道孔径(mm) Flow port dimension	d		-	-	11	14	19	-	28	35
重量(Kg) Weight			-	-	19.5	21.5	42	-	65	95

螺栓连接阀盖 (RJ)，全径，明杆支架 (OS&Y)，末端连接为焊接法兰或对焊连接，设计按 ASME B16.34
Welded bonnet, full port outside screw and yoke(OS&Y), Flange-welded or but-welded ends; design to ASME B16.34

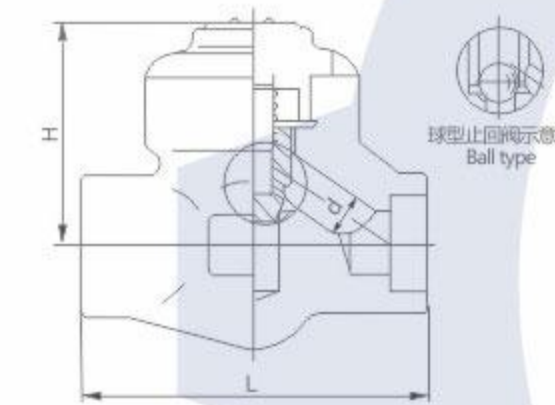
CL2500

规格(NPS) Specification		F.P	1/4	3/8	1/2	3/4	1	1 1/4	1 1/2	2
结构长度(mm) Face to face	L(RF)L1(BW)		-	-	264	273	308	394	384	451
	L(RTJ)		-	-	264	273	308	394	387	454
手轮直径(mm) Handwheel diameter	W		-	-	200	200	280	280	280	300
中心高度(开)(mm) Height	H		-	-	320	320	320	440	440	490
流道孔径(mm) Flow port dimension	d		-	-	11	14	19	25	28	35
重量(Kg) Weight			-	-	21.5	24.7	30.4	48.1	58.1	130

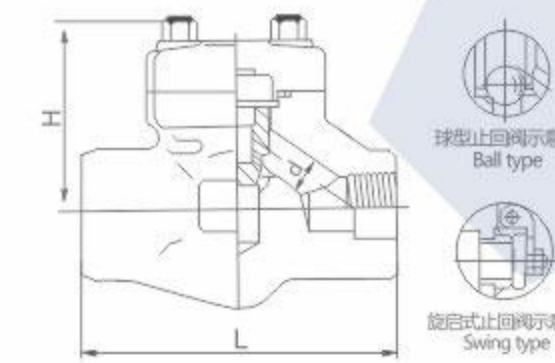
压力自紧式密封阀，全径，明杆支架 (OS&Y)，末端连接为焊接法兰或对焊连接，设计按 ASME B16.34
Pressure seal gate valves, full port outside screw and yoke(OS&Y), Flange-welded or but-welded ends; design to ASME B16.34



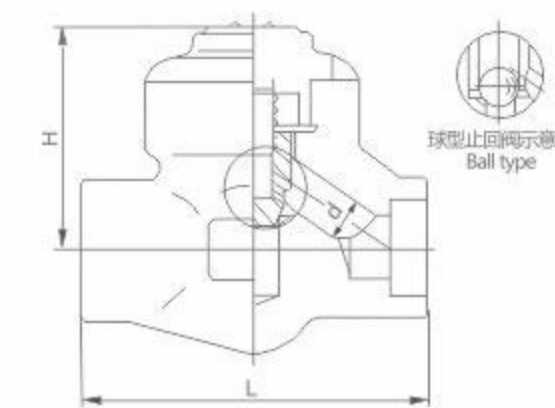
球阀止回阀示意图
Ball type



球型止回阀示意图
Ball type



球阀止回阀示意图
Ball type



球型止回阀示意图
Ball type

CL800

规格(NPS) Specification	F.P R.P		3/8	3/4	1	1 1/4	1 1/2	2	2	
			1/4	3/8	1/2	3/4	1	1/4	1/2	200
结构长度(mm) Face to face	L	升降式Lift	79	79	92	111	120	152	172	178
		旋启式Swing	79	79	92	111	120	140	132	
中心高度(开)(mm) Height	H	升降式Lift	61	61	61	78	84	84	118	133
		旋启式Swing	61	61	61	78	84	84	120	46
流道孔径(mm) Flow port dimension	d	升降式Lift	7	9	13	17.5	23	30	35	45
		旋启式Swing	8	10.5	13.5	18	24	29	36.5	12.5
重量(Kg) Weight		升降式Lift	1.2	1.5	1.7	3.3	4.2	4.2	10.5	10.9
		旋启式Swing	1.4	1.5	1.7	3.3	4.2	4.2	8.5	

螺栓连接阀盖，缩径和全径，末端连接为螺纹或承插焊或对焊，设计按BS5352
Bolted bonnet, full port & reducing port, Threaded, but-welded or socket welded ends; design to BS5352

CL800

规格(NPS) Specification	F.P R.P		1/2	3/4	1	1 1/4	1 1/2	2	2 1/2	
			1/4	3/8	1/2	3/4	1	1 1/4	1 1/2	2
结构长度(mm) Face to face	L		79	79	92	111	120	152	172	200
中心高度(开)(mm) Height	H		61	61	61	78	84	103	118	132
流道孔径(mm) Flow port dimension	d		7	9	13	17.5	23	30	35	46
重量(Kg) Weight			1.2	1.3	1.5	3.0	3.9	6.0	10	12

螺栓连接阀盖，缩径和全径，末端连接为螺纹或承插焊或对焊，设计按BS5352
Bolted bonnet, full port & reducing port, Threaded, but-welded or socket welded ends; design to BS5352

CL900-CL1500

规格(NPS) Specification	F.P R.P		3/8	3/4	1	1 1/4	1 1/2	2	2
			1/4	3/8	1/2	3/4	1	1/4	1/2
结构长度(mm) Face to face	L	升降式Lift	92	111	111	120	152	172	200
		旋启式Swing	92	111	111	120	120	140	178
中心高度(开)(mm) Height	H	升降式Lift	61	78	78	84	103	118	132
		旋启式Swing	61	78	78	84	101	120	133
流道孔径(mm) Flow port dimension	d	升降式Lift	7	12	15	20	28	32	40
		旋启式Swing	8	10.5	13.5	18	24	29	45
重量(Kg) Weight		升降式Lift	1.5	3.4	3.3	4.2	6.3	10.5	12.5
		旋启式Swing	1.5	3.3	3.4	4.2	5.0	8.5	10.9

螺栓阀盖，缩径和全径，末端连接为螺纹或承插焊，设计按BS5352
Bolted bonnet, full port & reducing port, Threaded, but-welded or socket welded ends; design to BS5352

CL900-CL1500

规格(NPS) Specification	F.P R.P		1/2	3/4	1	1 1/4	1 1/2	2	2 1/2
			1/4	3/8	1/2	3/4	1	1 1/4	1 1/2
结构长度(mm) Face to face	L		92	111	111	120	152	172	200
中心高度(开)(mm) Height	H		61	78	78	84	103	118	132
流道孔径(mm) Flow port dimension	d		7	12	15	20	28	32	40
重量(Kg) Weight			1.3	3.1	3.1	3.9	5.8	10.0	11.5

螺栓阀盖，缩径和全径，末端连接为螺纹或承插焊，设计按BS5352
Bolted bonnet, full port & reducing port, Threaded, but-welded or socket welded ends; design to BS5352